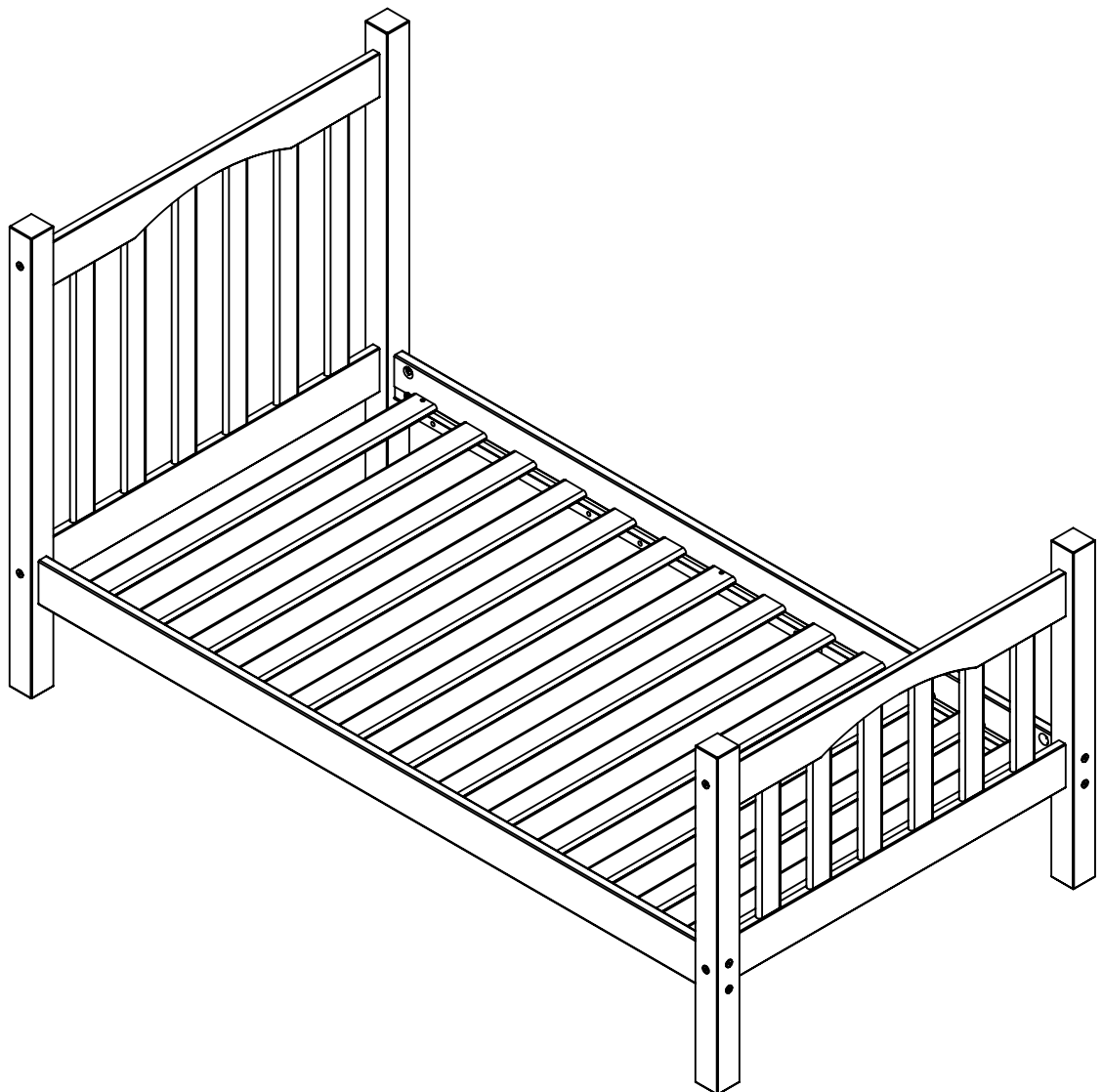
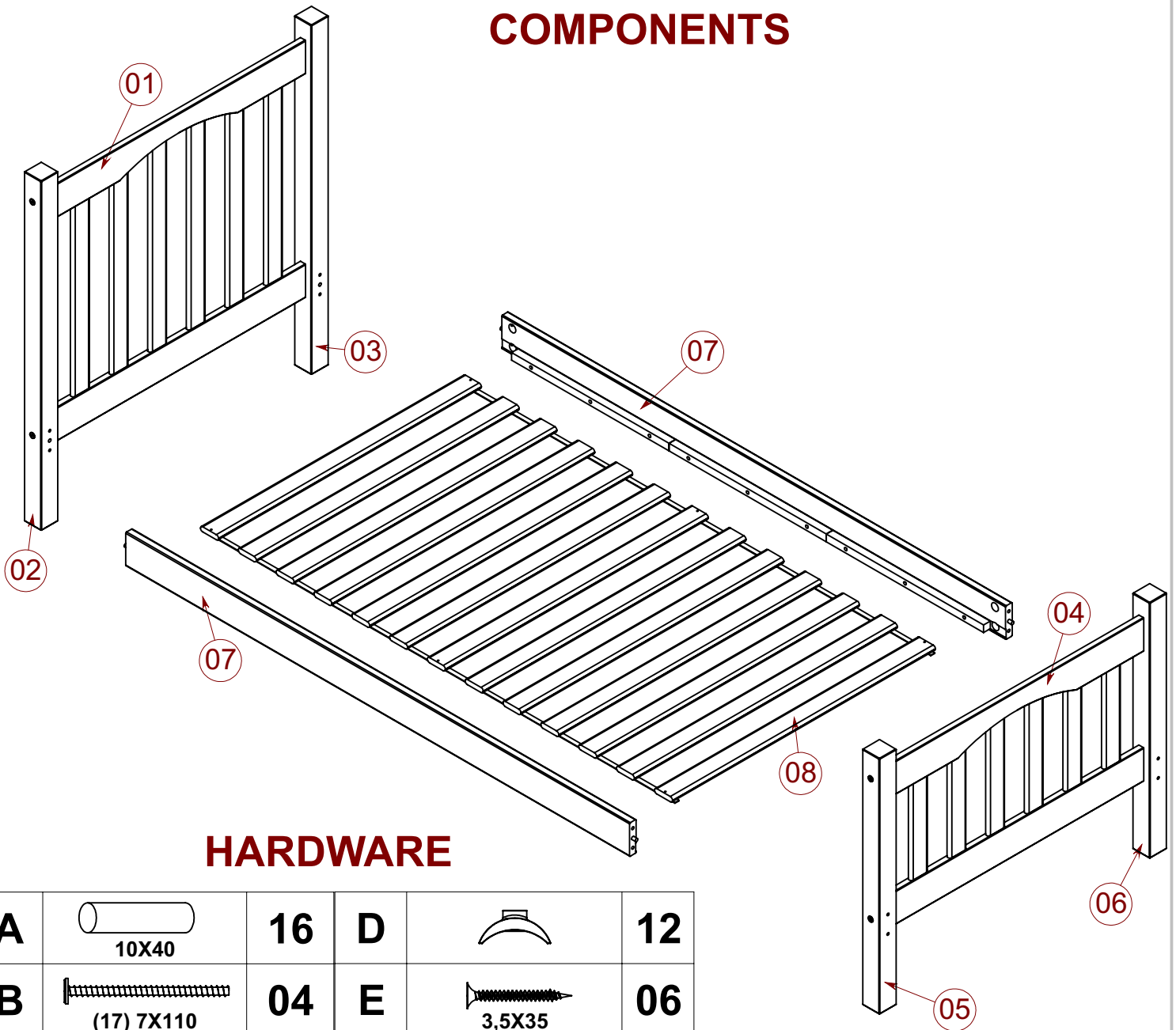


ASSEMBLY INSTRUCTIONS

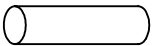




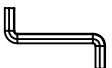
TWIN MISSION BED



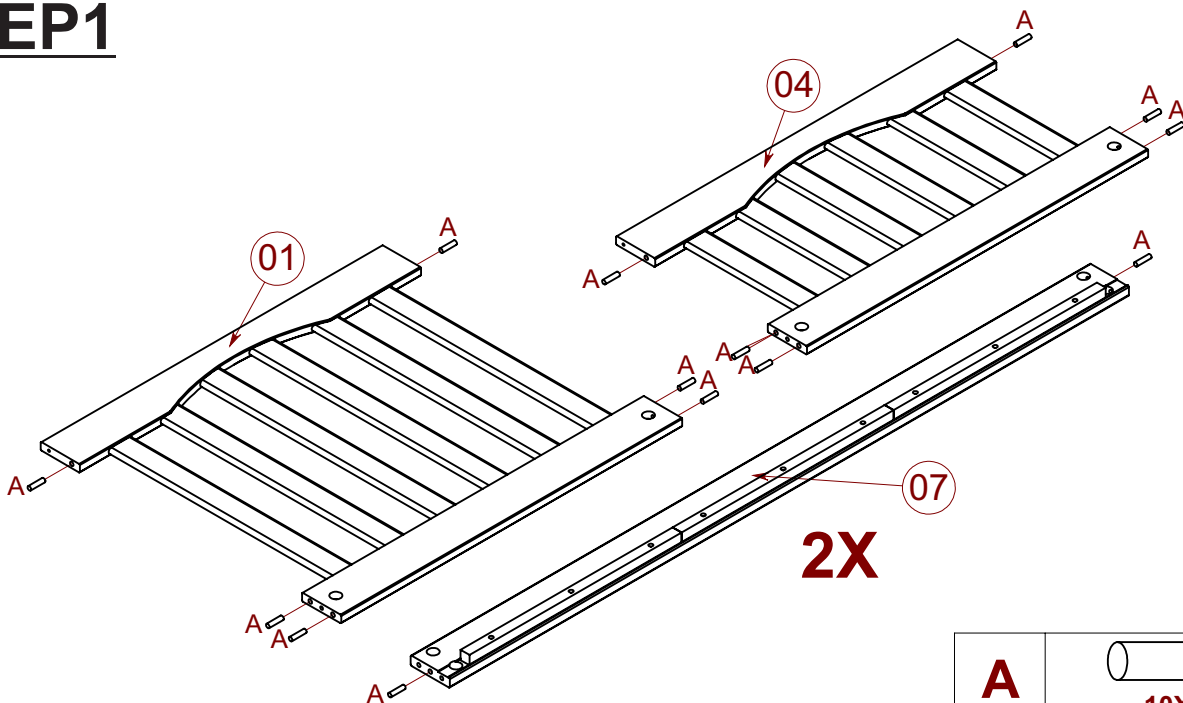
COMPONENTS

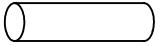


HARDWARE

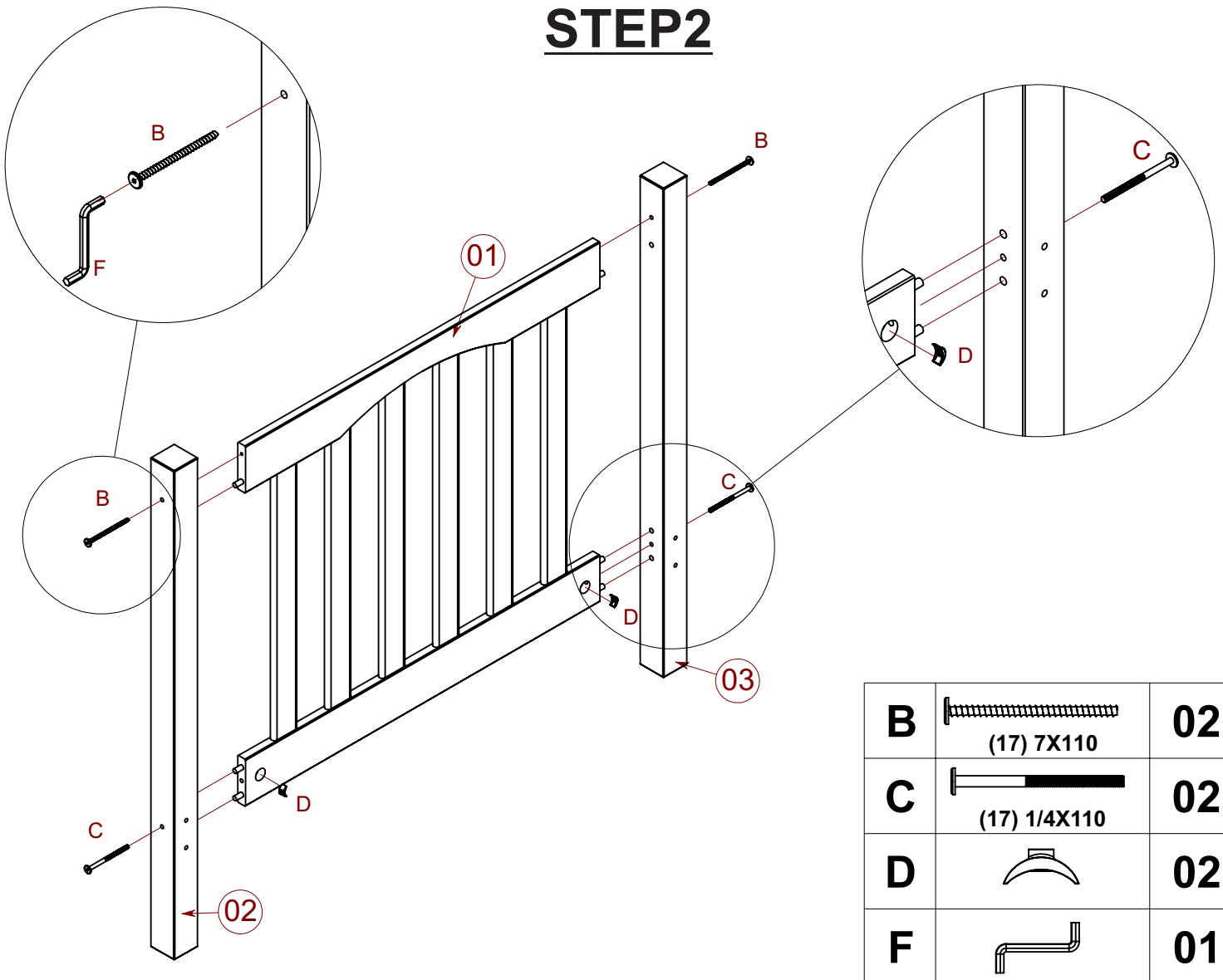
A	 10X40	16	D		12
B	 (17) 7X110	04	E	 3,5X35	06
C	 (17) 1/4X110	12	F		01

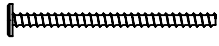


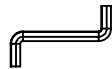
STEP 1



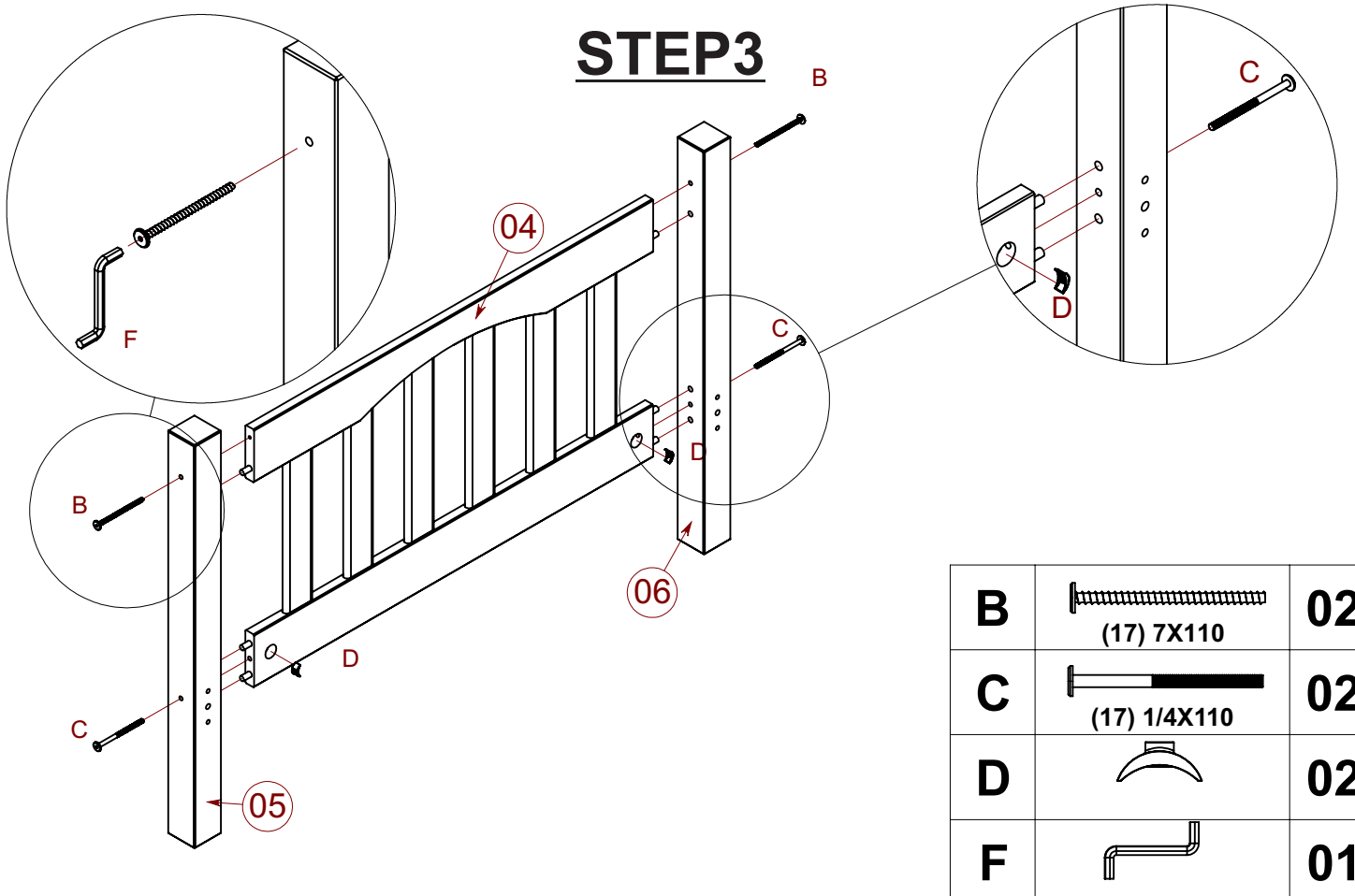
A	 10X40	16
----------	--	-----------

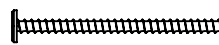



STEP 2



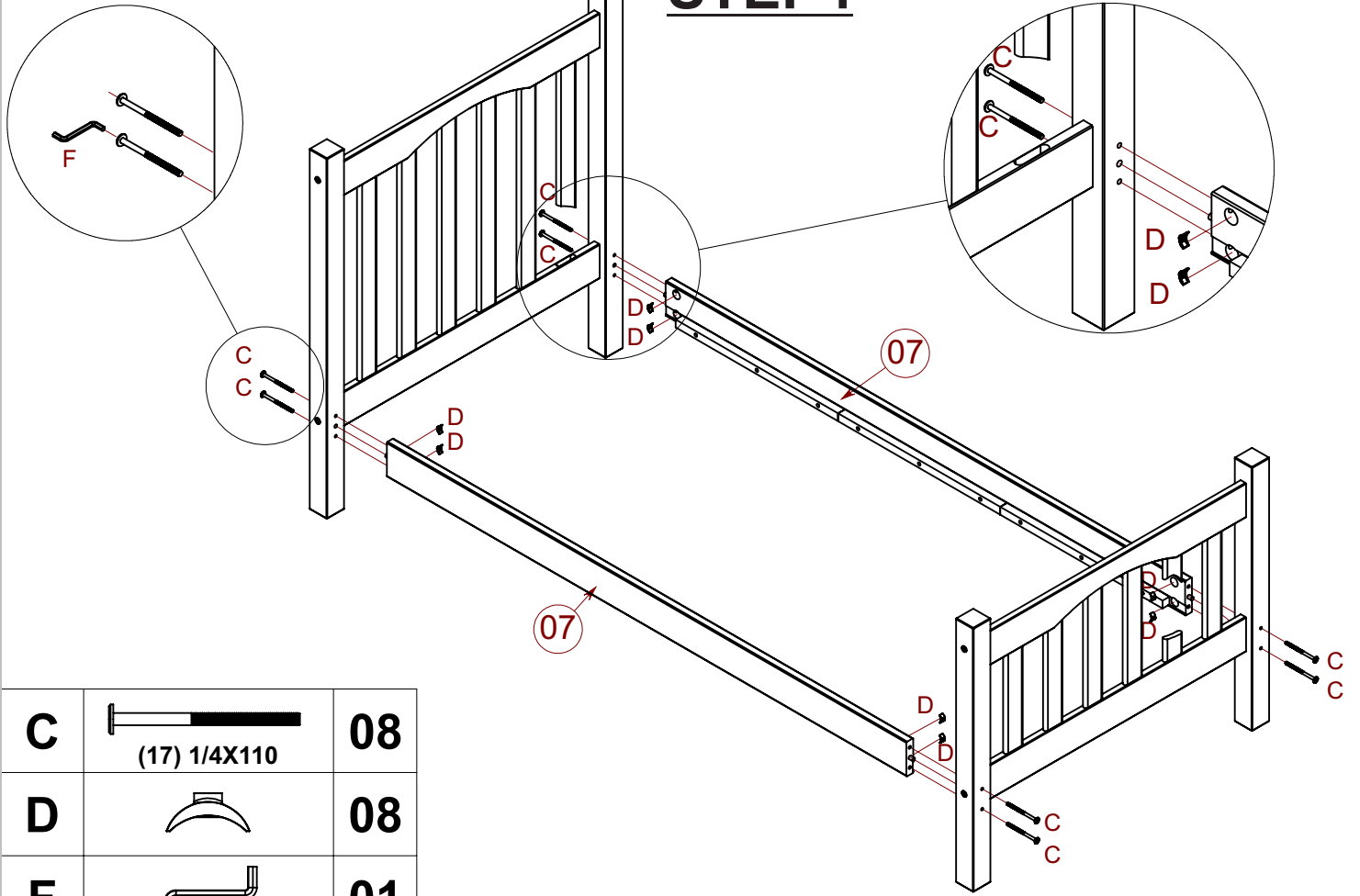
B	 (17) 7X110	02
C	 (17) 1/4X110	02
D		02
F		01



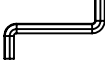
STEP 3



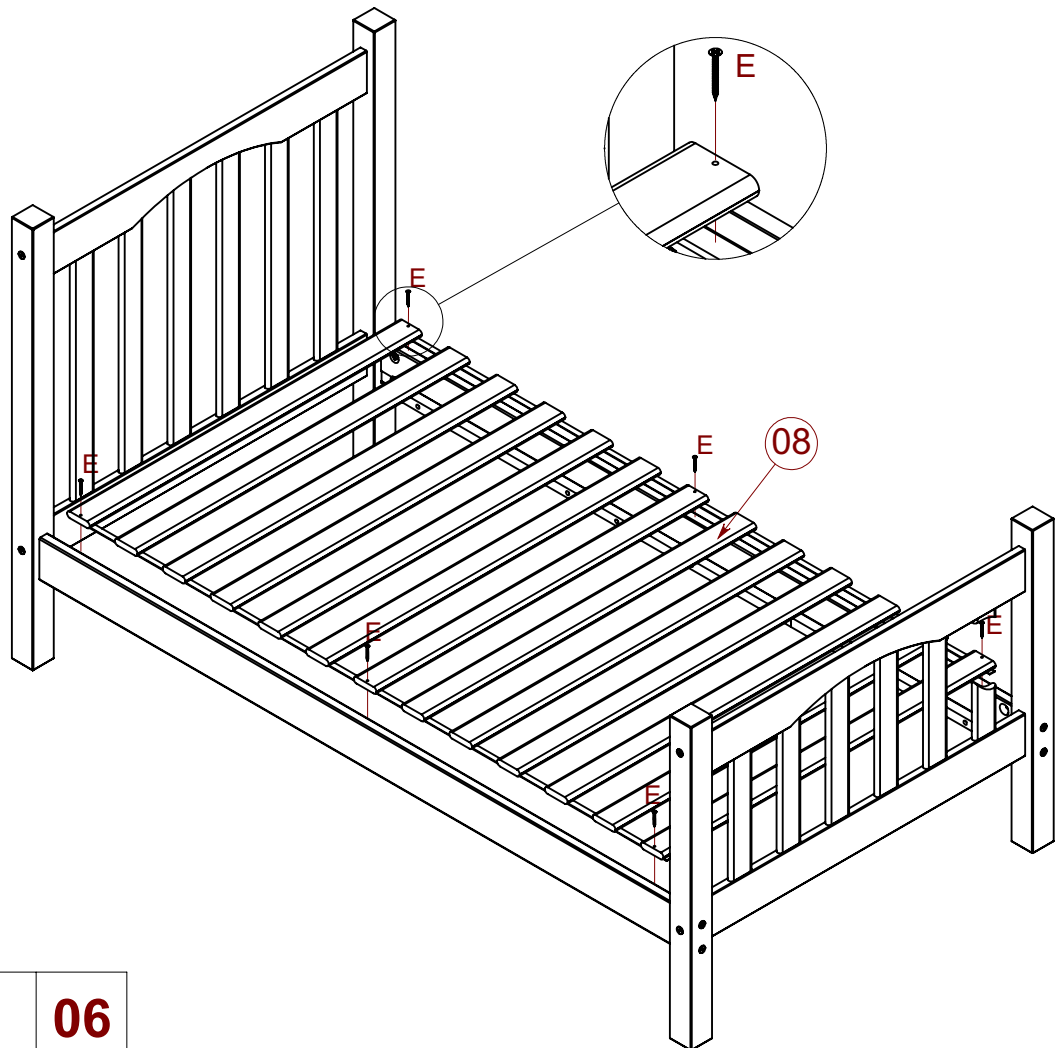
B	 (17) 7X110	02
C	 (17) 1/4X110	02
D		02
F		01

STEP 4



C	 (17) 1/4X110	08
D		08
F		01

STEP 5



E	 3,5X35	06
----------	---	-----------